



SN40S2-ST

Air Stapler BCS2 Series



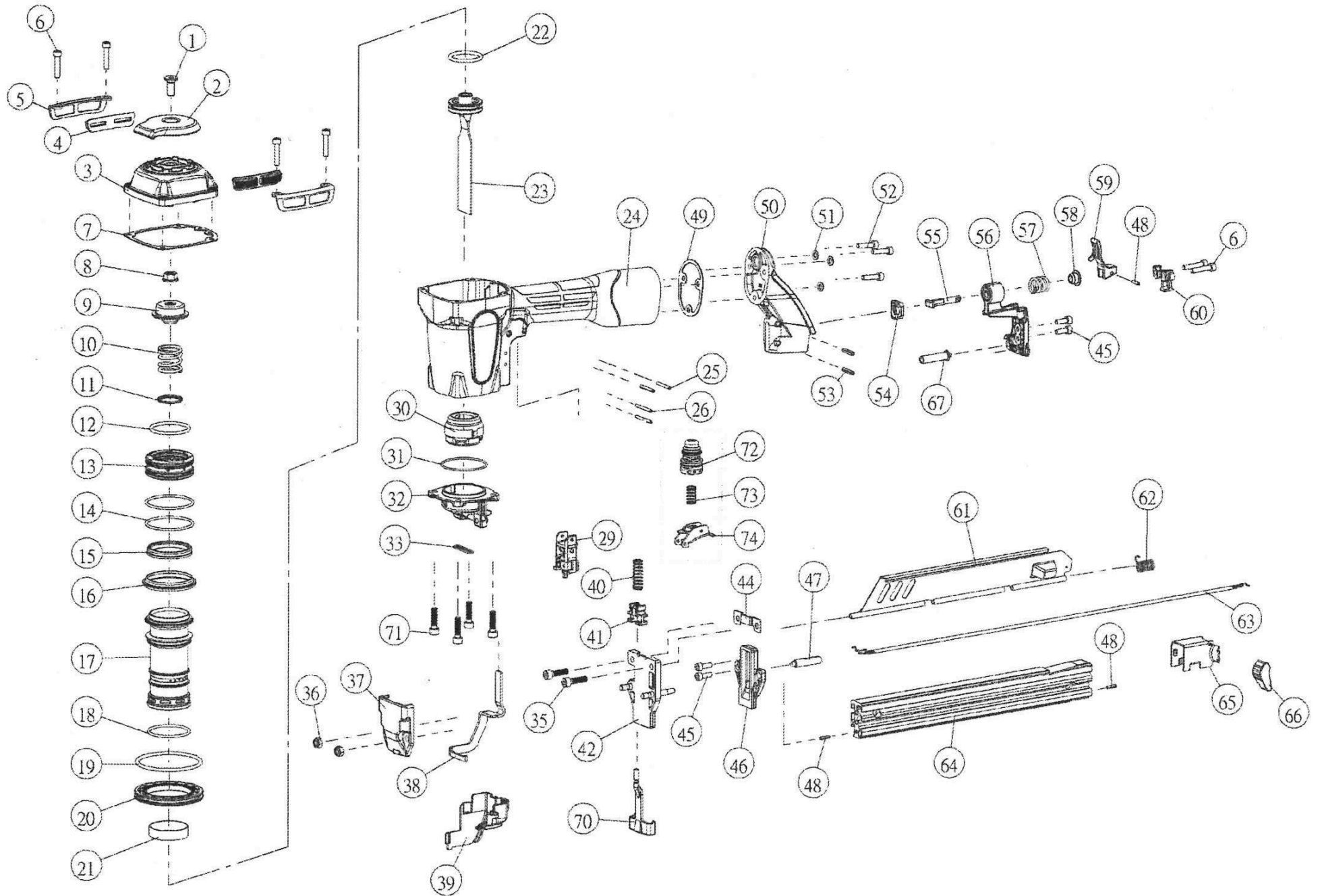
OPERATING & MAINTENANCE MANUAL



WARNING

BEFORE USING THIS TOOL, STUDY THIS MANUAL TO ENSURE SAFETY WARNING AND INSTRUCTIONS.

KEEP THESE INSTRUCTIONS WITH THE TOOL FOR FUTURE REFERENCE.



SN40S2-ST AIR STAPLER PARTS LIST

Item	Part No.	Description	Qty	Item	Part No.	Description	Qty
1	100930	SCREW M8x20	1	50	101876	CAP. FRAME END	1
2	100931	DEFLECTOR	1	51	100638	WASHER	3
3	101657	CAP, CYLINDER UNIT	1	52	100530	SCREW M5 x 20	3
4	100927	RUBBER PROTECTOR	2	53	100978	SPRING PIN 4 x 20	2
5	100953	PROTECTOR	2	54	100980	DISC. LATCH STOP	1
6	100933	SCREW M5 x 25	6	55	100982	PIN, LATCH	1
7	100952	SEAL CYLINDER CAP	1	56	101668	CAP. MAGAZINE END	1
8	100936	NUT M8	1	57	100975	SPRING, LATCH LEVER	1
9	100937	BUMPER, TOP	1	58	100976	BUSHING, SPRING	1
10	100938	SPRING, HEAD VALVE	1	59	100977	TOGGLE, MAGAZINE	1
11	100963	SPRING WASHER	1	60	100984	MAGAZINE STOP	1
12	100940	O-RING	1	61	101684	MAGAZINE COVER	1
13	100939	VALVE, HEAD	1	62	101680	SPRING	1
14	100941	O-RING	2	63	101893	SPRING, PUSHER ASSY	1
15	100943	SEAL CYLINDER	1	64	105002	CORE ASSEMBLY	1
16	100942	RETAINER CYLINDER SLEEVE	1	65	105007	PUSHER	1
17	101659	CYLINDER	1	66	101003	HANDLE, PUSHER	1
18	100944	O-RING	1	67	101655	PIN, MAGAZINE COVER	1
19	100947	O-RING	1	70	101690	ARM, LOWER CONTACT	1
20	100946	RING CYLINDER SLEEVE	1	71	103168	SCREW M6 x 22	4
21	100948	SEAL CHECK	1	72	100450	SEQUENTIAL TRIGGER VALVE	1
22	101910	O-RING	1	73	100389	SPRING	1
23	105009	MAIN PISTON UNIT	1	74	100386	SEQUENTIAL TRIGGER UNIT	1
24	101874	FRAME	1	Minimum order quantities for items in the following categories is 10 pieces, order quantities under 10 pieces for these items will be adjusted accordingly.			
25	100174	ROLL PIN	2				
26	100966	SPRING PIN	2	1	O-Rings - not included in the O-ring kits		
29	103295	UPPER TRIP GUIDE ASSY	1	2	Screws, bolts		
30	101664	BUMPER	1	3	Pins - roll pin, solid pins		
31	100643	O-RING	1	4	Standard washers - not special washers		
32	101665	FRAME, BOTTOM	1	5	Nuts		
33	105091	DRIVER GUIDE	1				
35	100077	SCREW M6	2				
36	101018	NUT M6	2				
37	101677	CASTING-NOSE COVER	1				
38	101671	CONTACT ARM	1				
39	101672	COVER, CONTACT ARM ASSY	1				
40	101687	SPRING	1				
41	101673	ADAPTER	1				
42	105006	NOSE	1				
44	101689	SPACER	1				
45	101688	HOX.SOC.HD.BOLT M5x14	4				
46	105000	CORE TIP	1				
47	101654	PIN A MAGAZINE COVER	1				
48	100090	SPRING PIN	3				
49	100968	SEAL END CAP	1				Feb-22

QUICK JAM-RELEASING MAGAZINE

The stapler contains a "Quick Jam-Releasing Magazine" feature. The magazine is spring loaded to reduce jamming. When a jam does occur, a quick release mechanism at the rear of the magazine allows the magazine to move back, in order to clear the jam.

ALWAYS DISCONNECT AIR SUPPLY BEFORE CLEARING A JAMMED FASTENER.

WARNING:

If a jam does occur, locate the latch at the rear of magazine (FIG. 1). Pull down on the latch to open (FIG. 2), and rotate it clockwise 1/4 turn (FIG. 3). Pull back on the latch (FIG. 4). This will pull the magazine back to clear the jam. After removing the jammed fastener, push on the latch, rotate it 1/4 turn counterclockwise and push up to close.

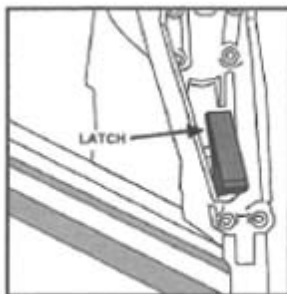


FIG. 1

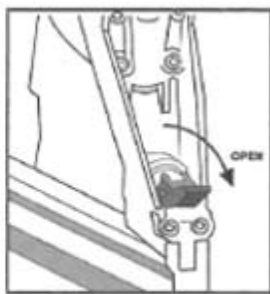


FIG. 2



FIG. 3

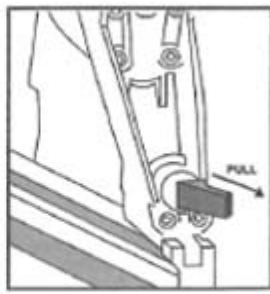


FIG. 4